

LSM10 · LSM15

TECHNICAL DATA SHEET

TECHNICAL DATA LSM10:

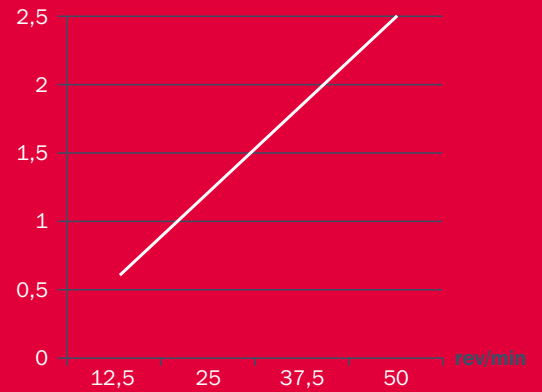
- **Nominal flowrate:** 2,5 l/min
- **Nominal pressure:** 5 bar (0,25 kW motor)
- **Max. Pressure:** 10 bar
- **Connection:** MALE 3/8" BSP
- **Weight:** Approx. 25 kg / 55 lbs

TECHNICAL DATA LSM15:

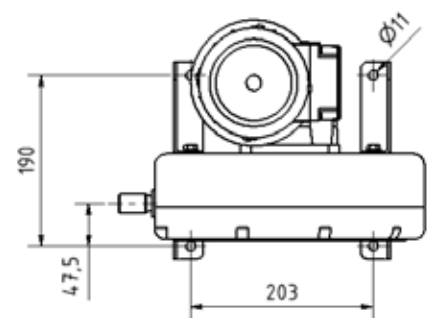
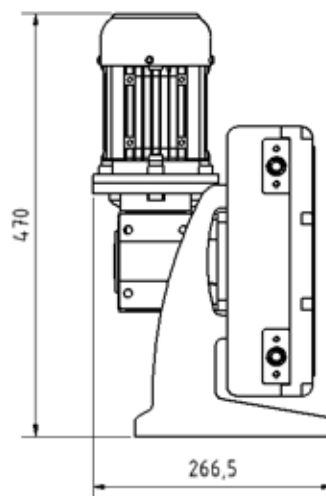
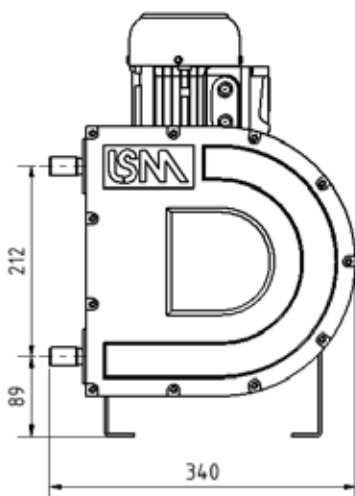
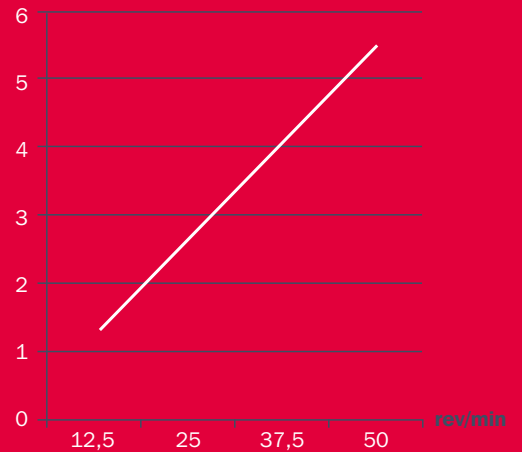
- **Nominal flowrate:** 5,5 l/min
- **Nominal pressure:** 5 bar (0,25 kW motor)
- **Max. Pressure:** 10 bar
- **Connection:** MALE 1/2" BSP
- **Weight:** Approx. 25 kg / 55 lbs

- Angle gearbox and motor is selected for the specific pressure and flowrate needed.
- Optional with Variable Frequency Drive.
- High vacuum possible, suction lifts up to 8m. (Above 4m lifting height, vacuum is applied to the pump housing to improve efficiency.)
- Low friction rollers
- Polyurethane housing

Q [l/min.] Pump Flowrate - LSM10



Q [l/min.] Pump Flowrate - LSM15



LSM10 · LSM15

TECHNICAL DATA SHEET



PUMP APPLICATIONS:

- Sewage Treatment plants
- Combinet heat and power plants
- Fishing industry
- Meat plants
- Chemical industry
- Food industry
- Off-Shore
- Mining

PUMP ADVANTAGES:

- Low energy Consumption
- High pressure
- Self priming
- Tolerates dry-run
- Passes large objects
- Low maintenance

LSM · PUMPER

Sigenevej 7 | DK-9760 Vraa
Tel. +45 98 98 19 00 | Fax +45 98 98 24 40
www.lsm.dk

DEALER: